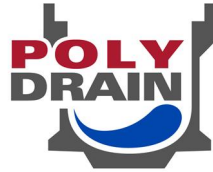


PolyDrain[®]

Pre-Engineered Surface Drainage

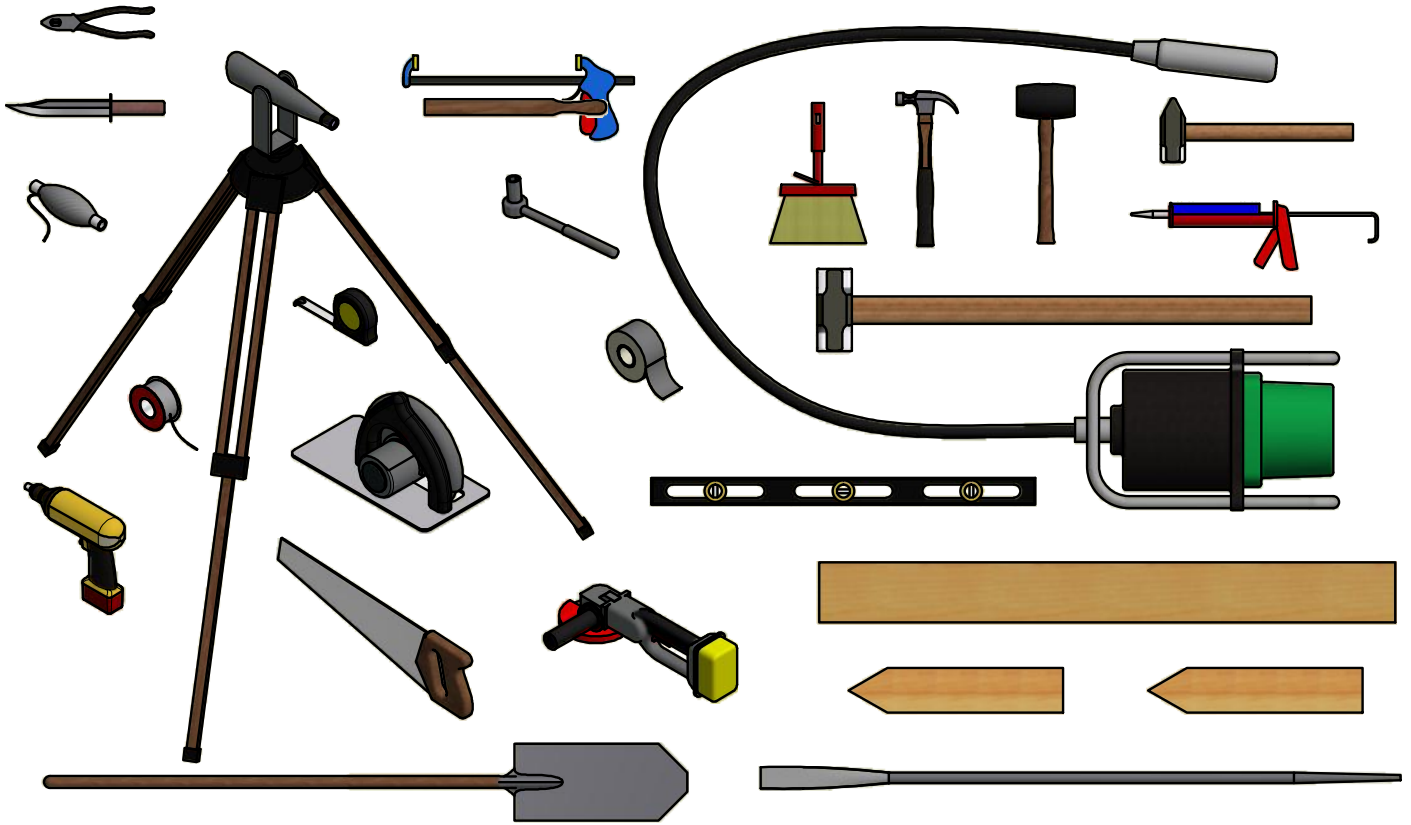


PDX[®] - Pin Lock Installation Guide

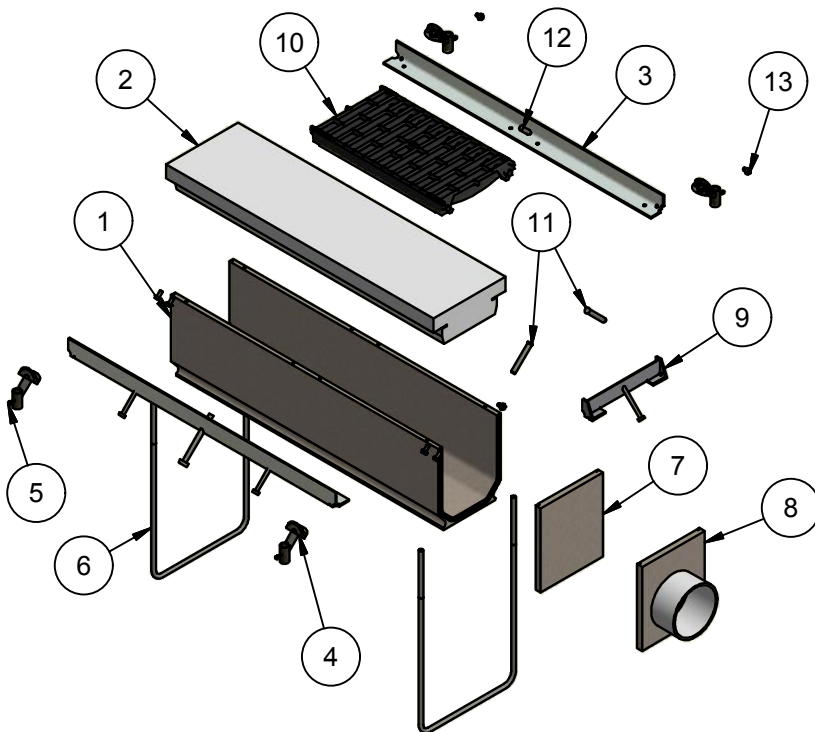
ABT[®], INC.

P.O. Box 837 - 259 Murdock Road - Troutman, NC 28166
Tel (704) 528-9806 - Fax (704) 528-5478 - www.abtdrains.com
Toll free in the USA, Canada, and Mexico (800) 438-6057

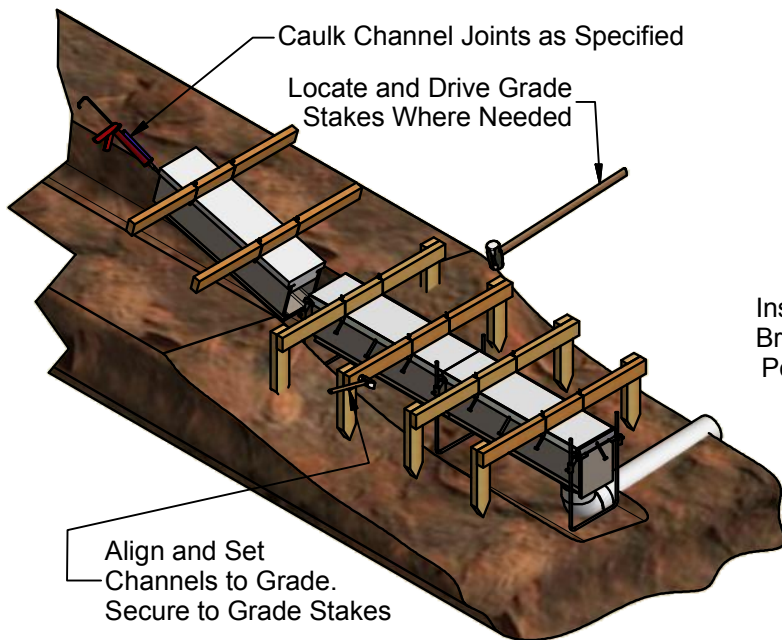
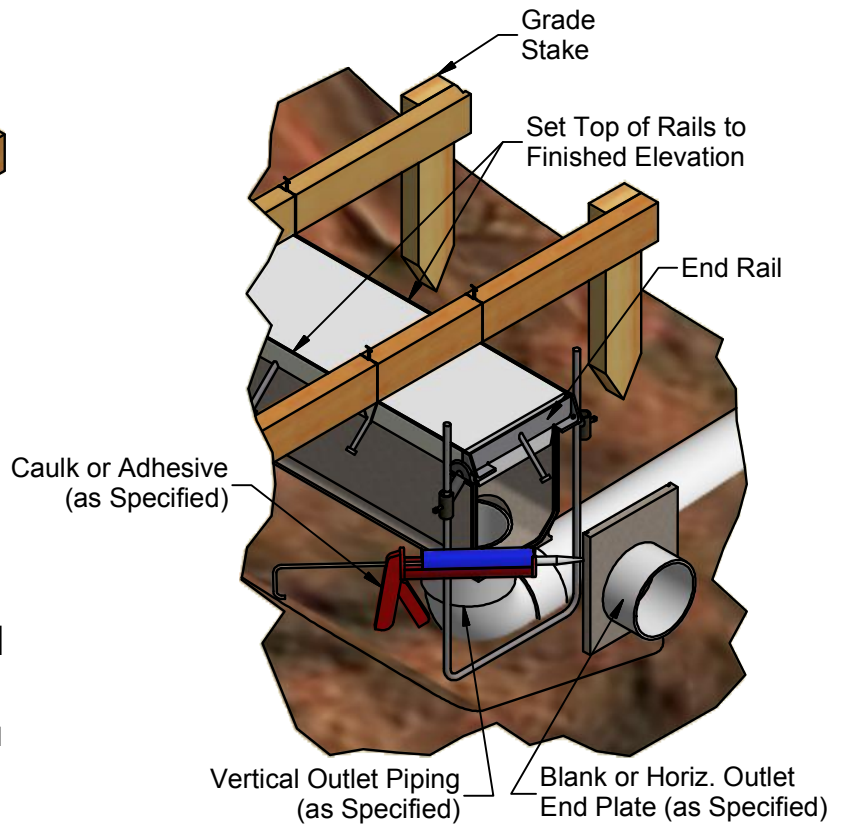
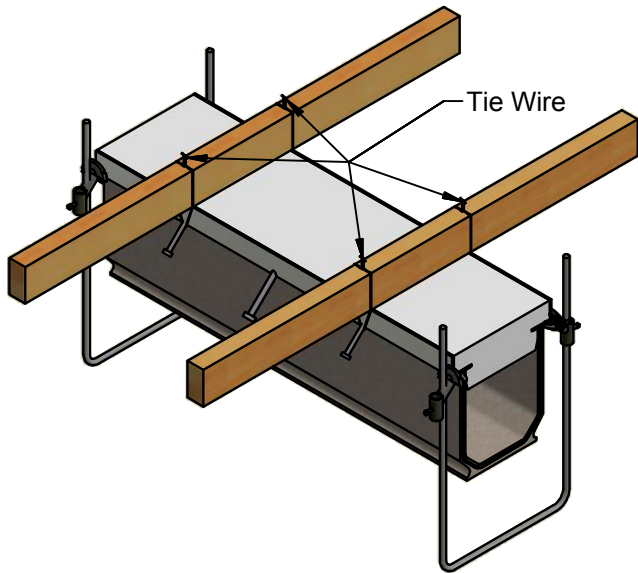
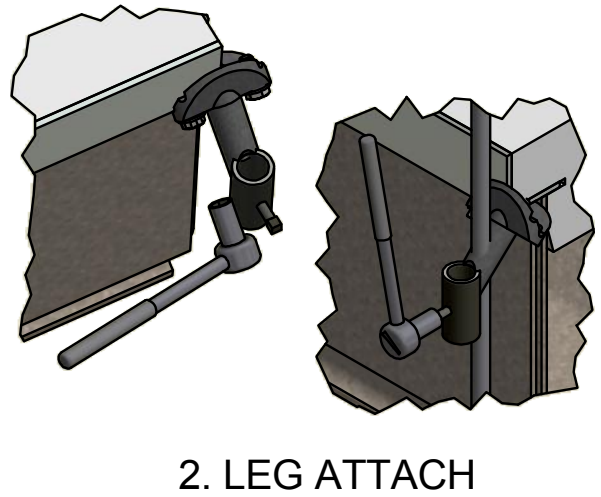
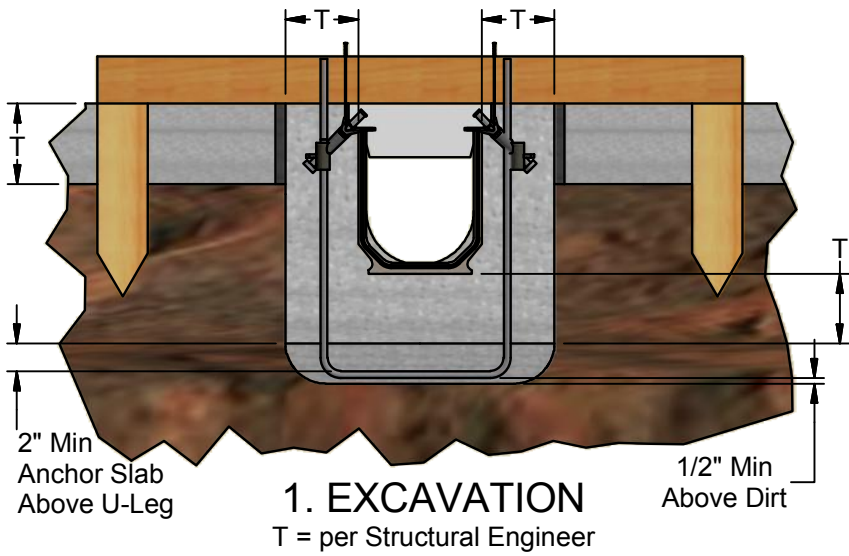
USEFUL OR REQUIRED TOOLS

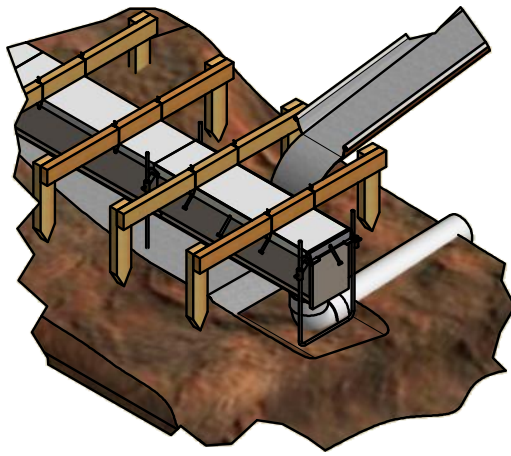


COMPONENT IDENTIFICATION



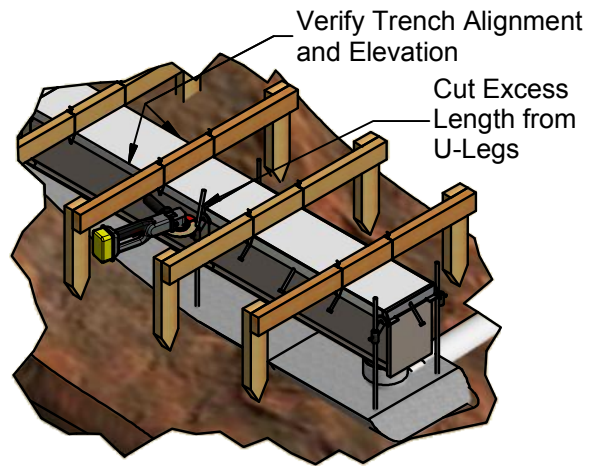
COMPONENTS	
ITEM	DESCRIPTION
1	PDX Channels
2	EPS Foam Insert
3	Frame / Angle Rail
4	1803 Cast Leg Bracket
5	Leg Clamp Screw
6	U - Leg
7	Plain End Plate
8	Inlet / Outlet End Plate
9	End Rail
10	Grate
11	Removable Grate Retaining Pins
12	Fixed Grate Retaining Pin
13	Hexagon Head Screw



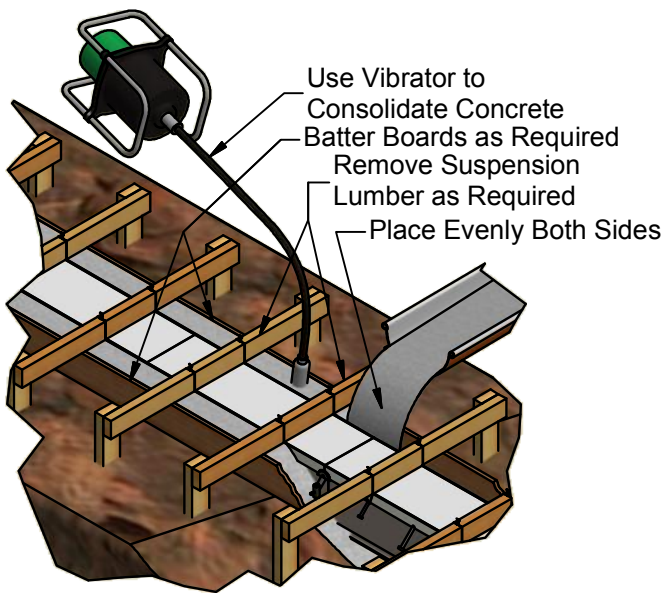


7. PLACE ANCHOR SLAB

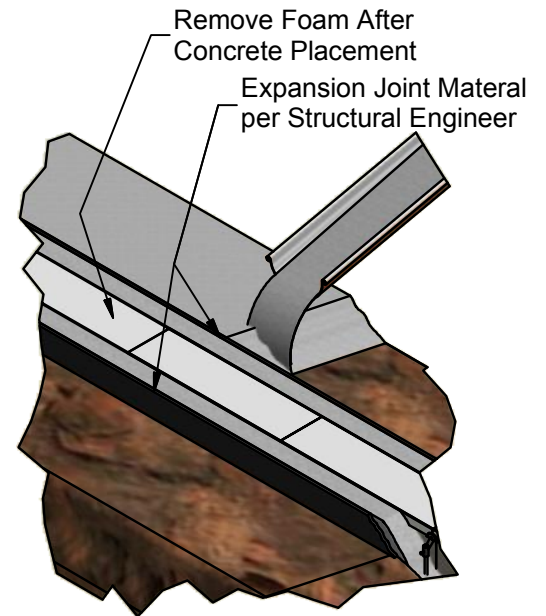
See Step 1 for Dimension



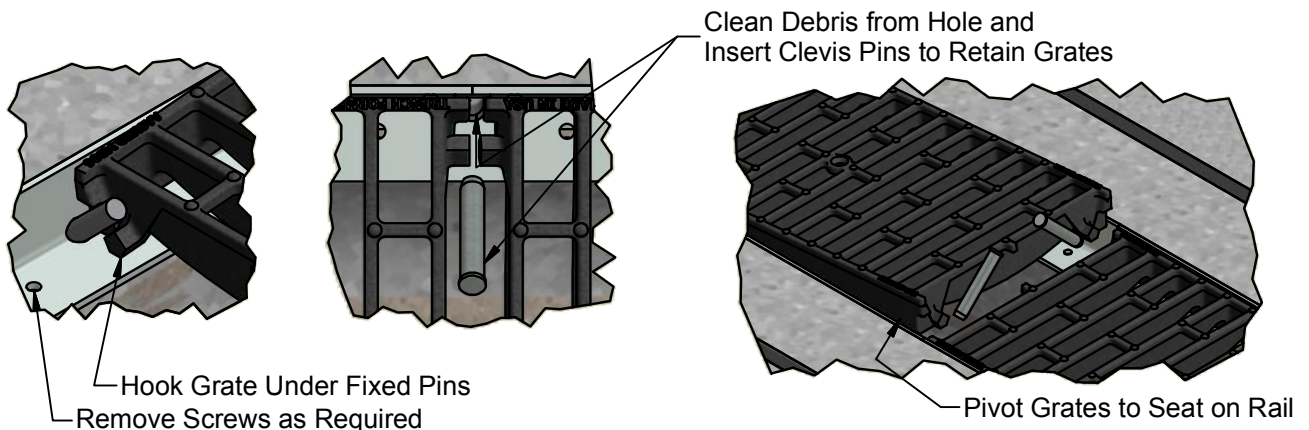
8. FINAL ALIGN & U-LEG TRIM



9. ENCAPSULATION CONCRETE PLACEMENT AND CONSOLIDATION



10. FLOOR CONCRETE PLACEMENT



11. GRATE INSTALLATION

