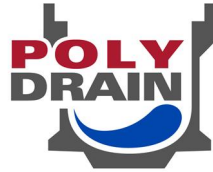


# PolyDrain<sup>®</sup>

Pre-Engineered Surface Drainage

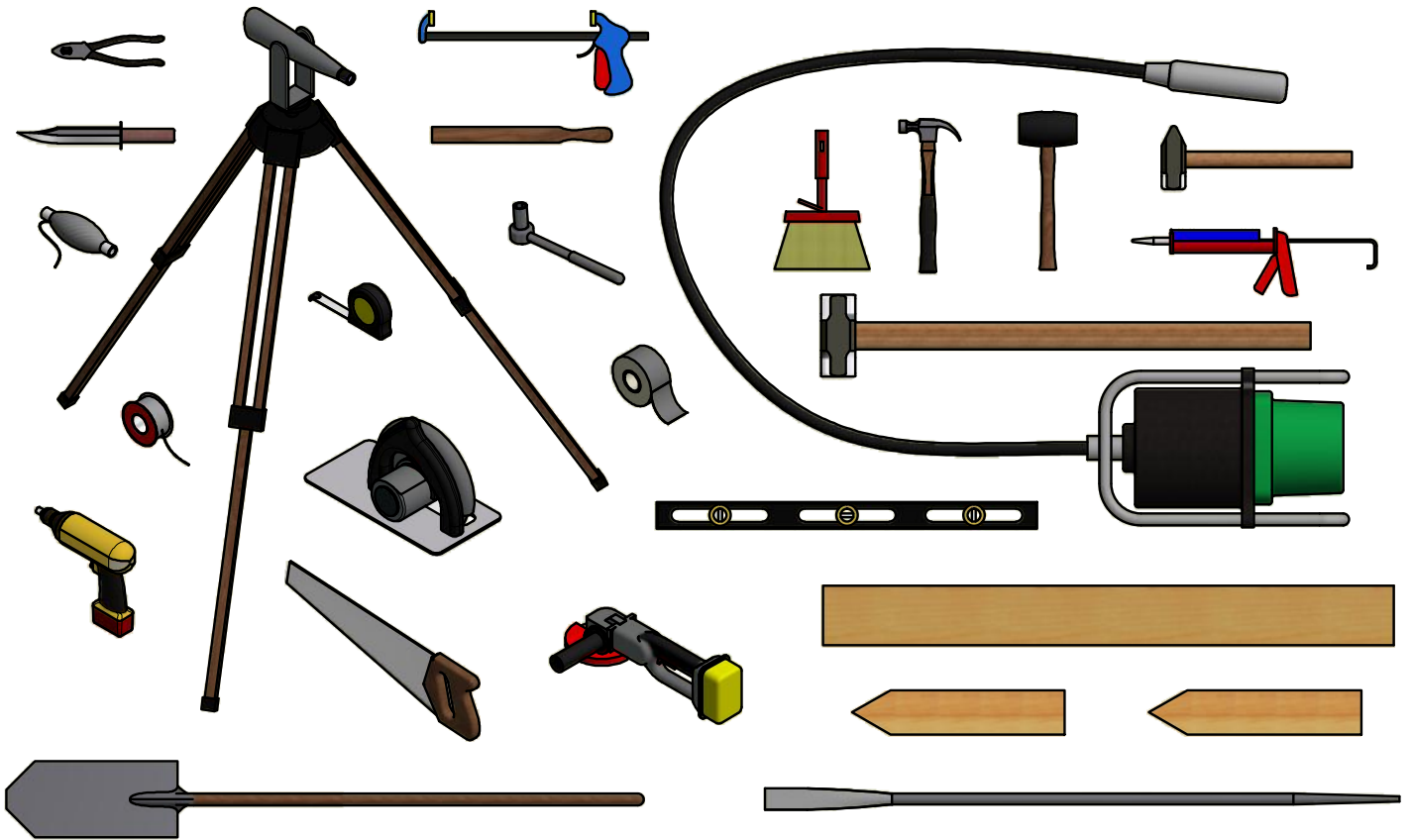


## PDX<sup>®</sup> - Toggle Lock Installation Guide

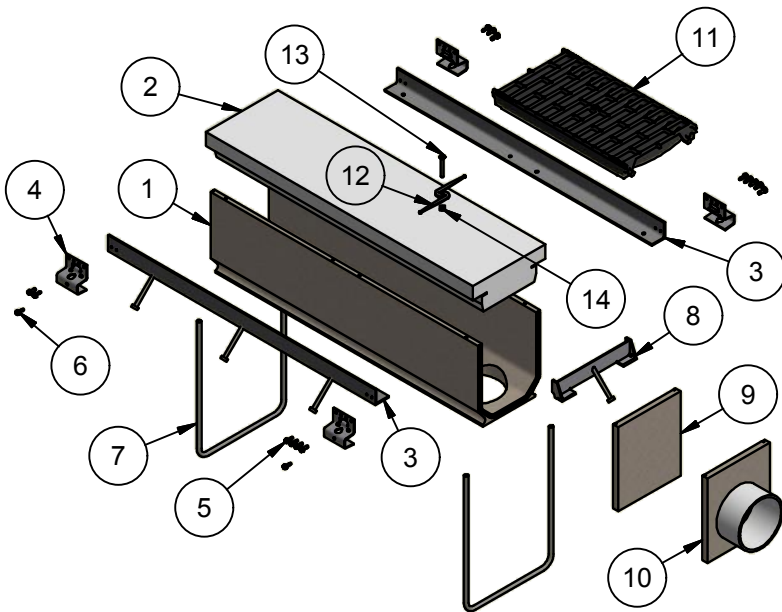
**ABT<sup>®</sup>, INC.**

P.O. Box 837 - 259 Murdock Road - Troutman, NC 28166  
Tel (704) 528-9806 - Fax (704) 528-5478 - [www.abtdrains.com](http://www.abtdrains.com)  
Toll free in the USA, Canada, and Mexico (800) 438-6057

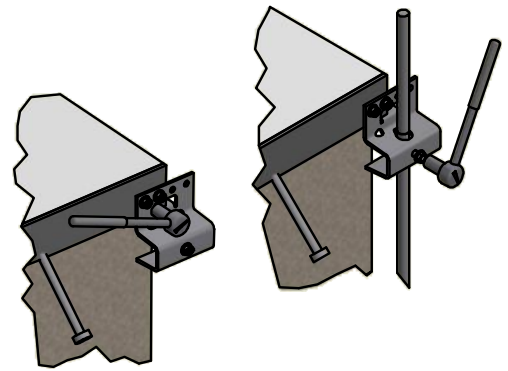
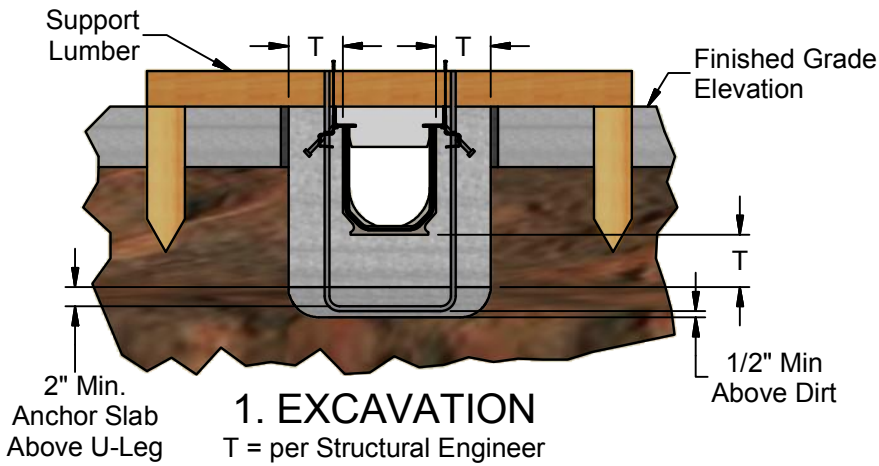
# USEFUL OR REQUIRED TOOLS



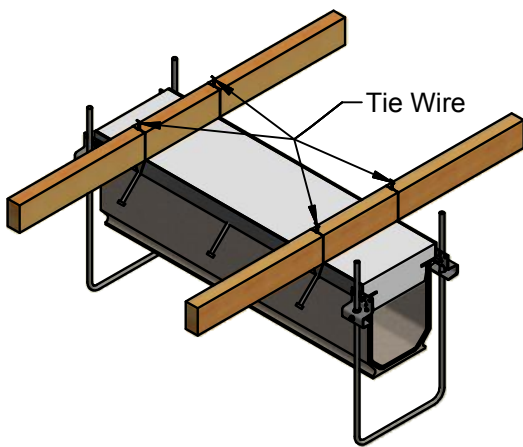
# COMPONENT IDENTIFICATION



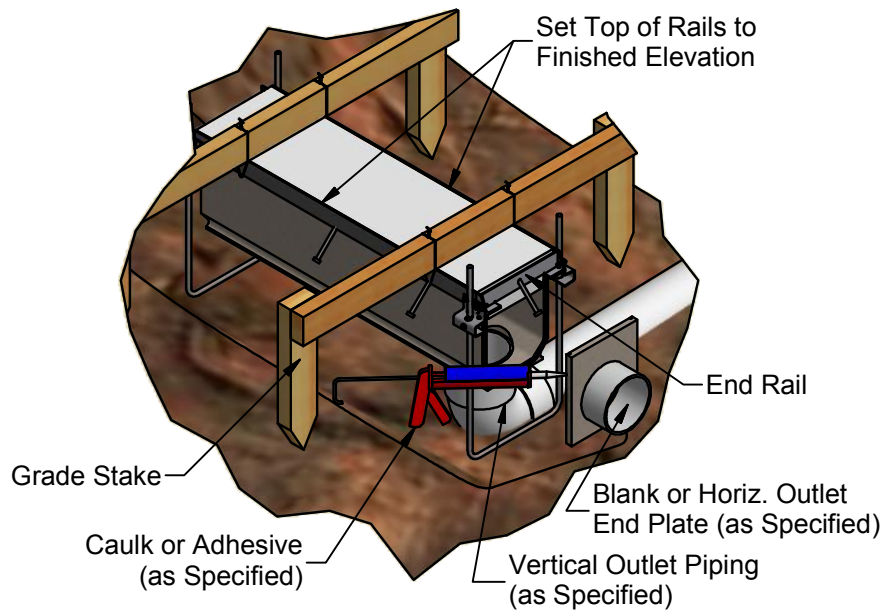
BILL OF MATERIAL	
ITEM	DESCRIPTION
1	Channel (Optional Btm. Outlet Shown)
2	EPS Insert
3	Angle Frame / Rail
4	1802 Leg Bracket
5	Ø1/4"x3/8" Thread Forming Screw
6	Ø5/16" x 3/4" Thread Forming Screw
7	Rebar U-Leg
8	End Rail
9	Plain End Plate
10	Inlet / Outlet End Plate
11	Grate
12	Grate Retainer Toggle
13	Grate Retainer Toggle Bolt - 5/16" UNC
14	Grate Retainer Nut - Ø5/16" Square Nut



**2. LEG ATTACH**

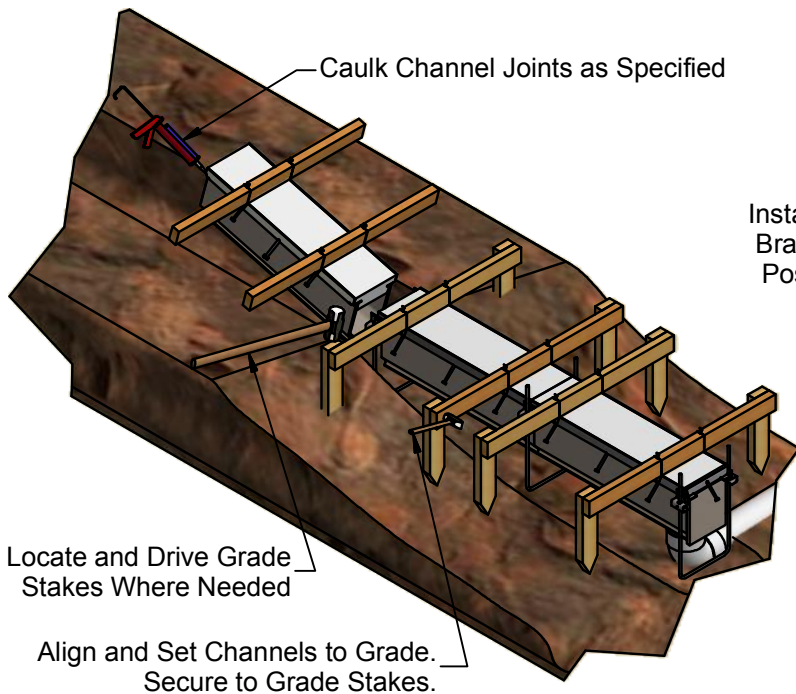


**3. SUPPORT LUMBER ATTACH**



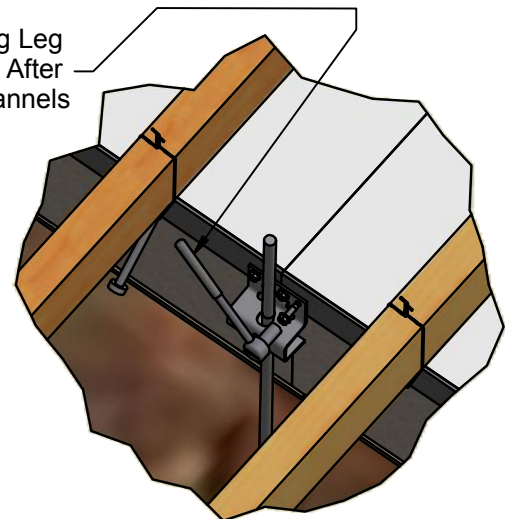
**4. DISCHARGE PLACE & ALIGN**

Locate and Align Outlet Channel First. Start at Deep End and Work to Shallow End.

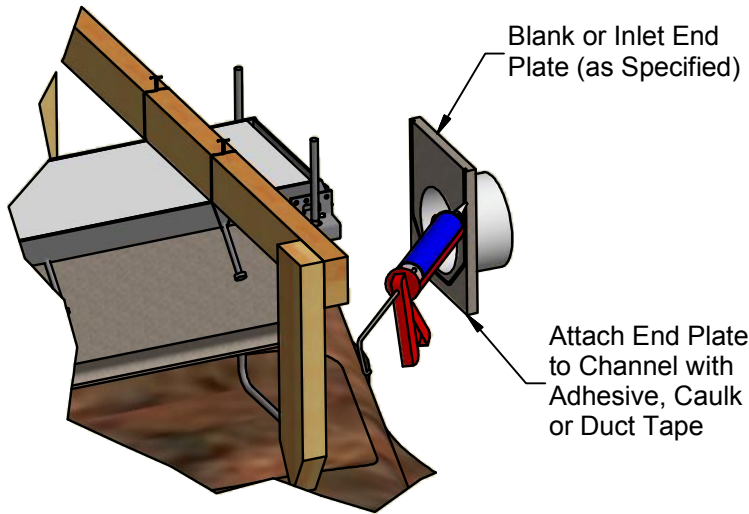


**5. CHANNEL PLACE & ALIGN**

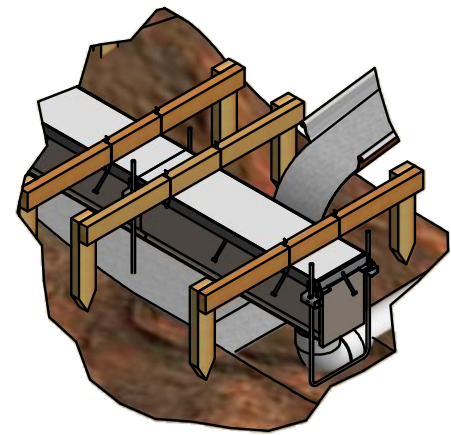
Install Remaining Leg Bracket Screws After Positioning Channels



**6. RAIL CONNECTION**

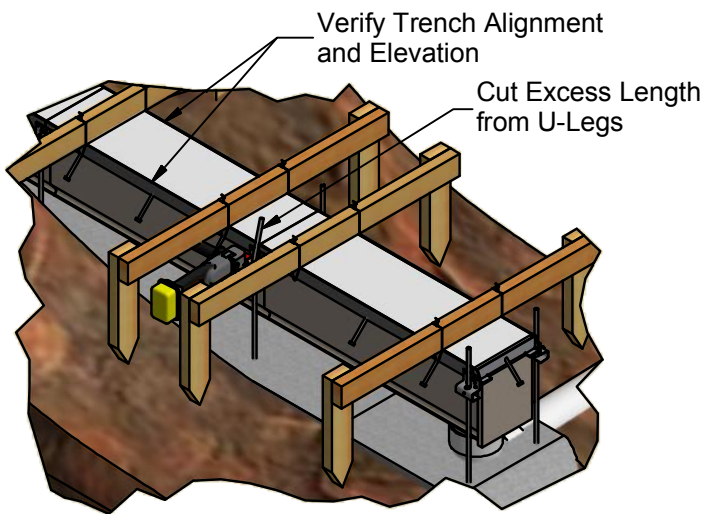


### 7. END PLATE

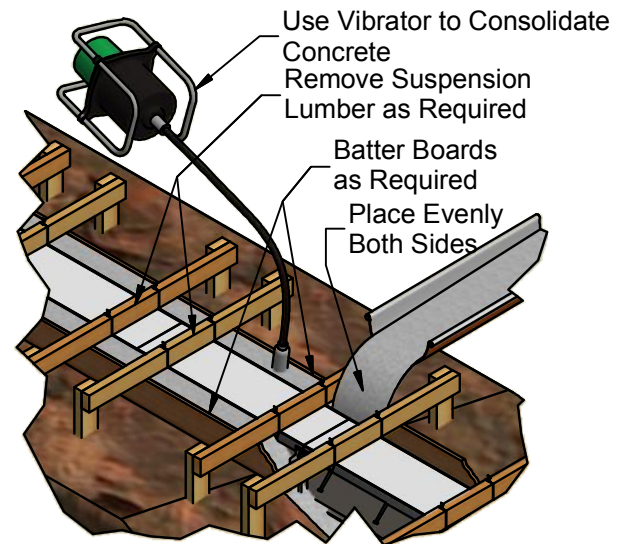


### 8. PLACE ANCHOR SLAB

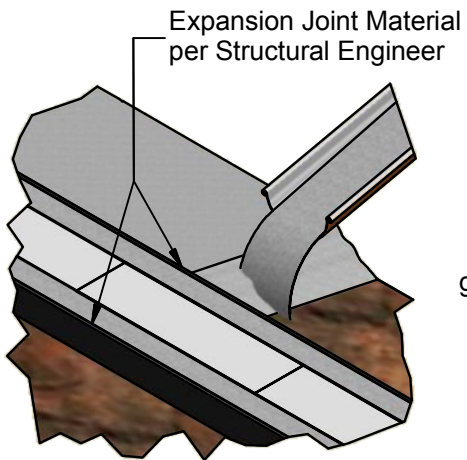
See Step 1 for Dimensions



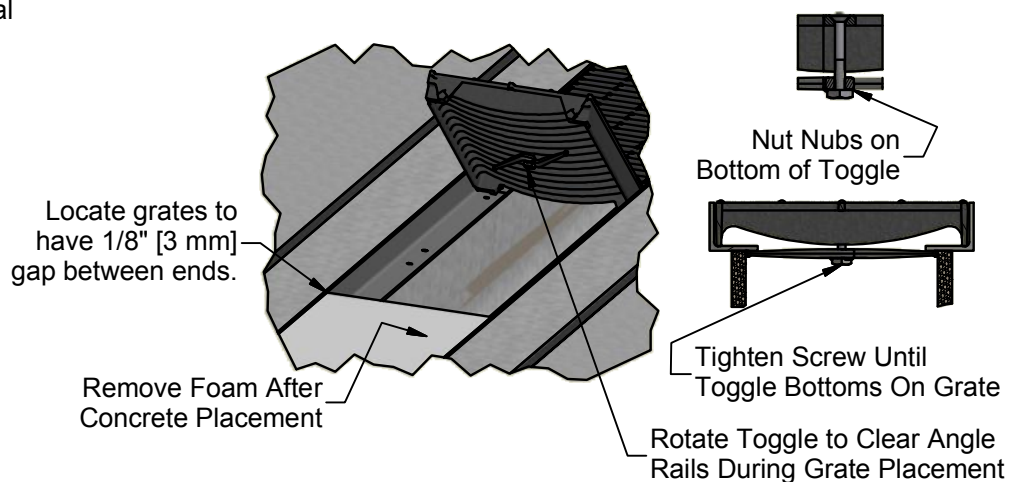
### 9. FINAL ALIGN & U-LEG TRIM



### 10. ENCAPSULATION CONCRETE PLACEMENT & CONSOLIDATION



### 11. FLOOR CONCRETE PLACEMENT



### 12. GRATE INSTALLATION

