

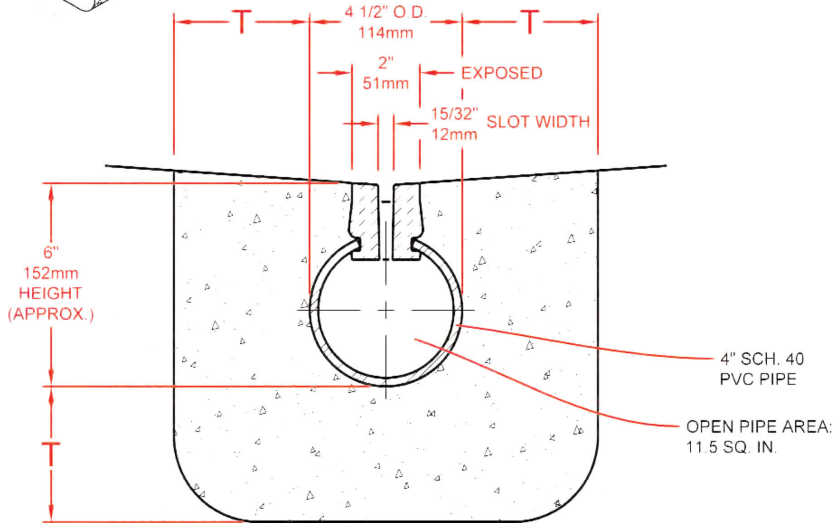
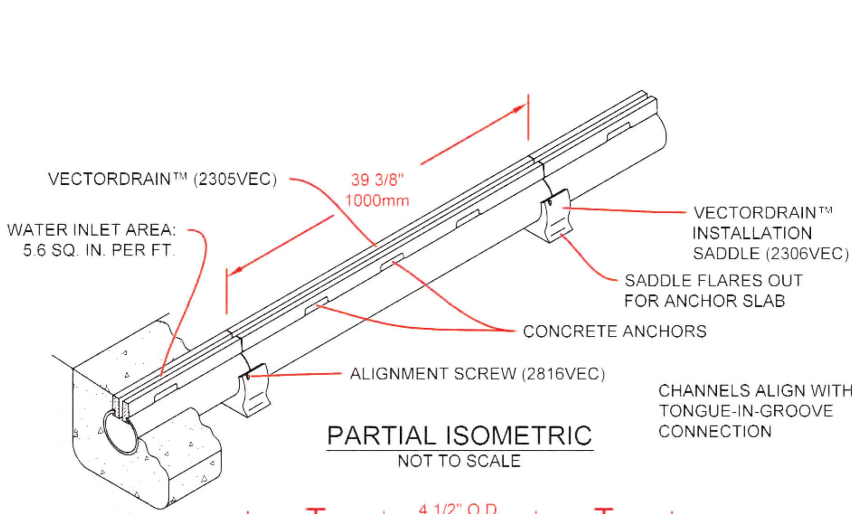
# VectorDrain®

LIGHT DUTY TRENCH SYSTEM



VECTORDRAIN





**CROSS SECTIONAL VIEW**

**T** = STRUCTURAL ENGINEER'S SPECIFICATION,  
OR FLOOR SLAB THICKNESS,  
OR 4" MIN. [100mm]  
(WHICHEVER IS GREATER)



## Visit [www.abtdrains.com](http://www.abtdrains.com)

ABT designs and manufactures some of the most extensive, reliable, and versatile lines of channel drains, grates, and water management solutions in the industry. If you're an engineer or designer and need performance-based specifications and details for your project, we can help. Visit [www.abtdrains.com](http://www.abtdrains.com) for details on all our products.



**ABT,® Inc.**  
PO Box 837  
259 Murdock Road  
Troutman, NC 28166  
[www.abtdrains.com](http://www.abtdrains.com)  
Toll-free: 800.438.6057  
Phone: 704.528.9806

**DISCLAIMER:** The customer and the customer's architects, engineers, consultants and other professionals are completely responsible for the selection, installation, and maintenance of any product purchased from ABT, and EXCEPT AS EXPRESSLY PROVIDED IN ABT'S STANDARD WARRANTIES, ABT MAKES NO WARRANTY, EXPRESS OR IMPLIED, AS TO THE SUITABILITY, DESIGN, MERCHANTABILITY, OR FITNESS OF THE PRODUCT FOR CUSTOMER'S APPLICATION. Copies of ABT's standard warranties are available upon request.

10/15/2022