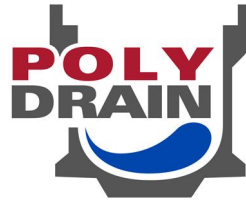


PolyDrain[®]

Pre-Engineered Surface Drainage

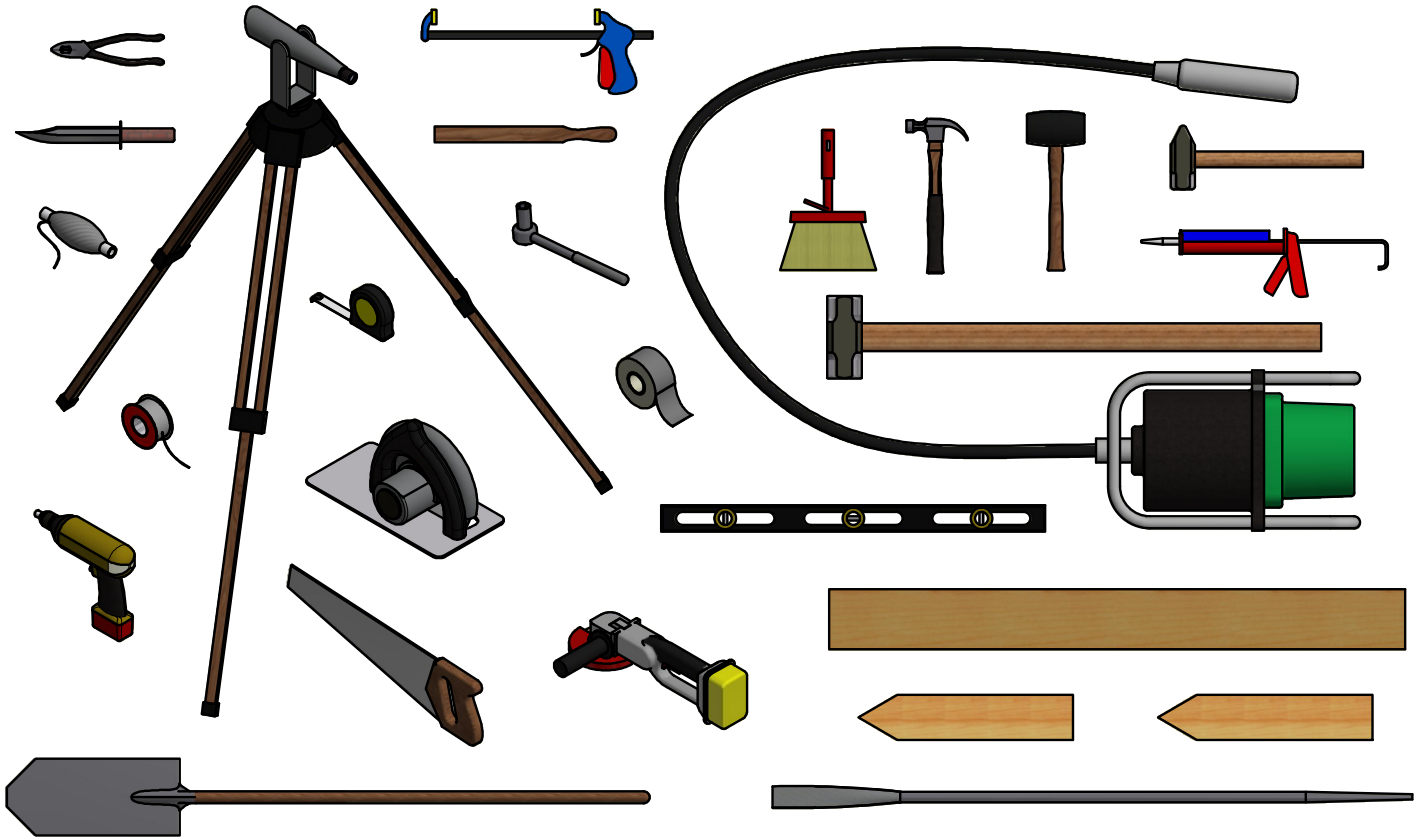


Installation Guide

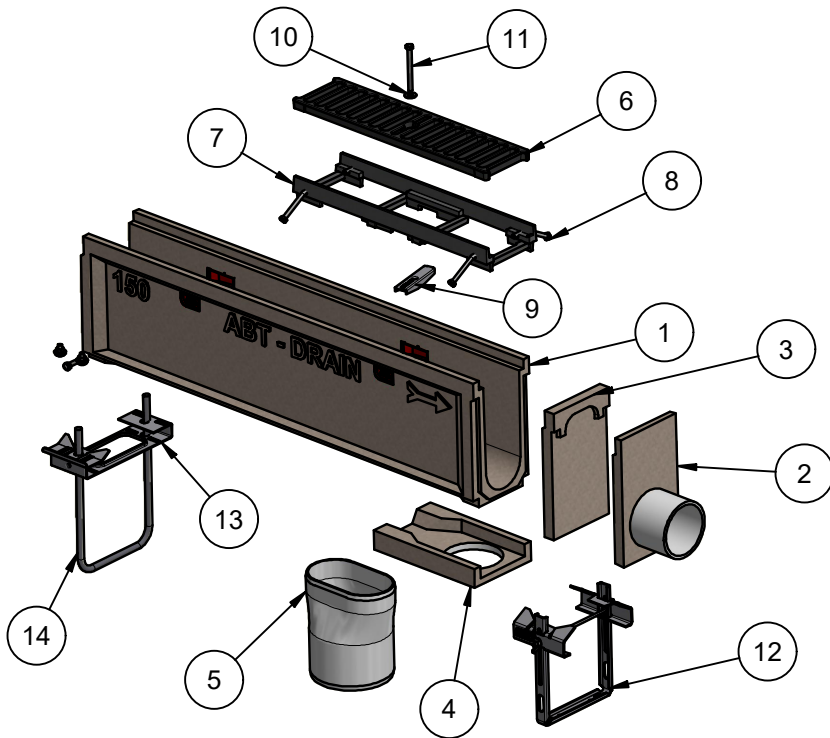


P.O. Box 837 - 259 Murdock Road - Troutman, NC 28166
Tel (704) 528-9806 - Fax (704) 528-5478 - www.abtdrains.com
Toll free in the USA, Canada, and Mexico (800) 438-6057

USEFUL OR REQUIRED TOOLS



COMPONENT IDENTIFICATION

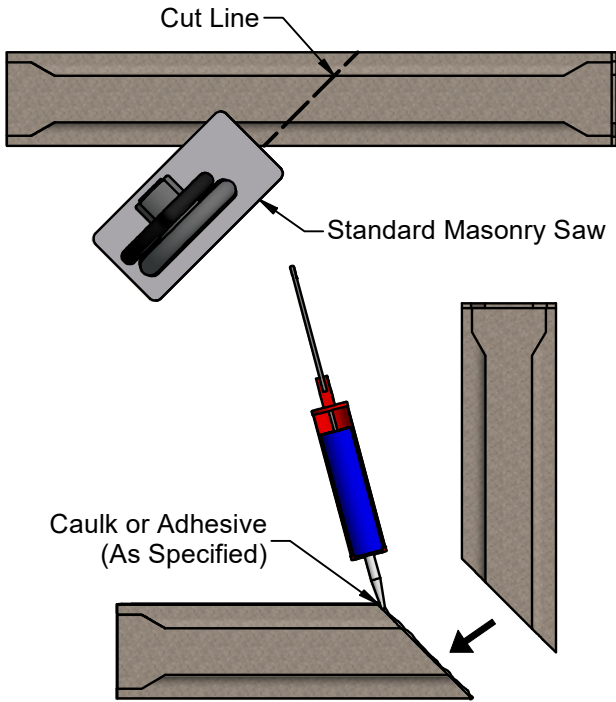


BILL OF MATERIALS	
ITEM	DESCRIPTION
1	PolyDrain® Channel
2	Pipe Stub Outlet Adaptor Plate
3	Plain End Plate
4	Pipe Insert Outlet Adapter Plate
5	Vertical PVC Outlet
6	Grate
7	Grate Frame (Optional)
8	Concrete Anchor Bolt
9	Toggle
10	Ø5/16" Flat Washer
11	Grate Retainer Bolt - Ø5/16-18
12	PolyClip I™ (Optional)
13	PolyClip II™ (Optional)
14	Rebar U-Leg (Optional)

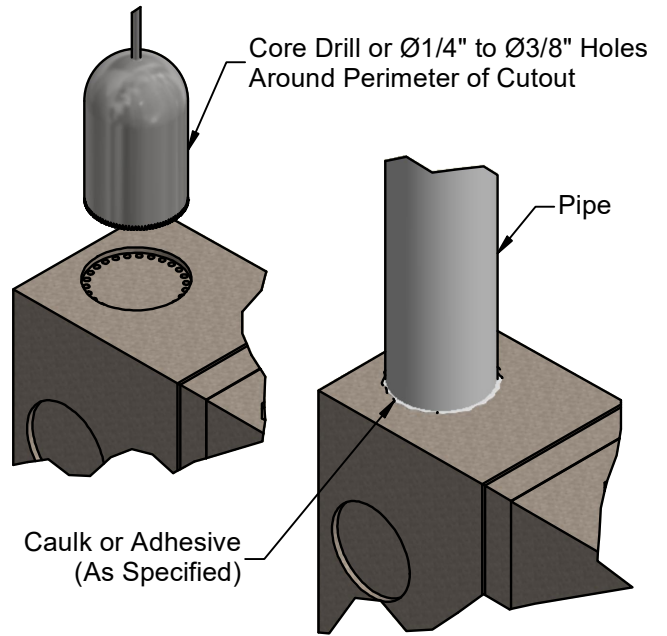
Some products sold by ABT contain chemicals known to the State of California to cause cancer, birth defects or other reproductive harm. Products sold by ABT may contain these chemicals in a smaller amount than Proposition 65's concern, or not at all, however, we have chosen to issue this warning on all of our products as an act of caution and because our customers have the right to know.

⚠️ WARNING: These products can expose you to chemicals such as nickel, lead, chromium, cobalt, styrene, methylene chloride, or silica, which are known to the State of California to cause cancer and birth defects or other reproductive harm. For more information go to www.P65Warnings.ca.gov.

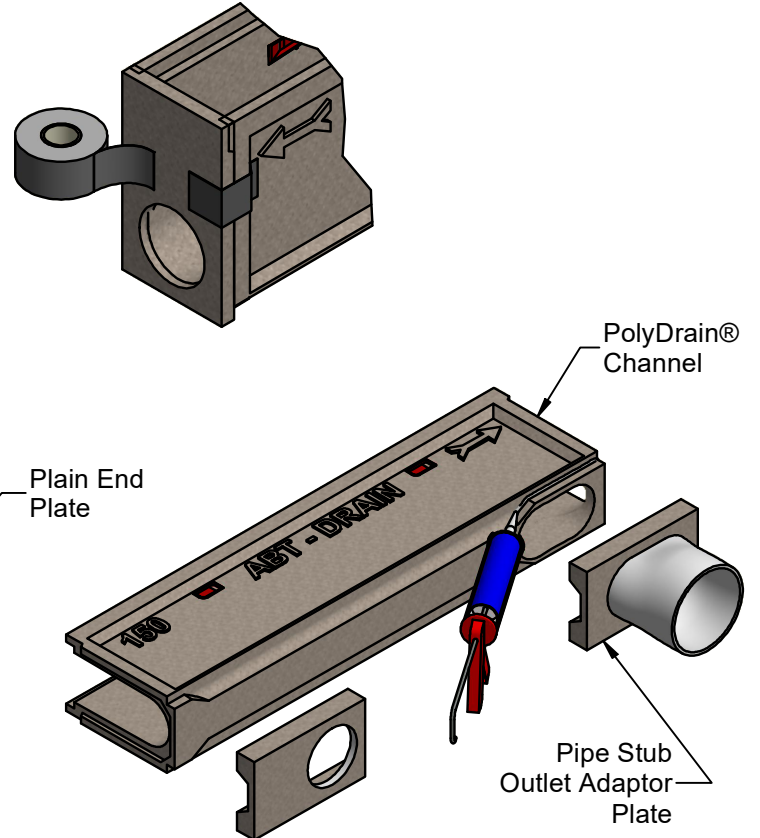
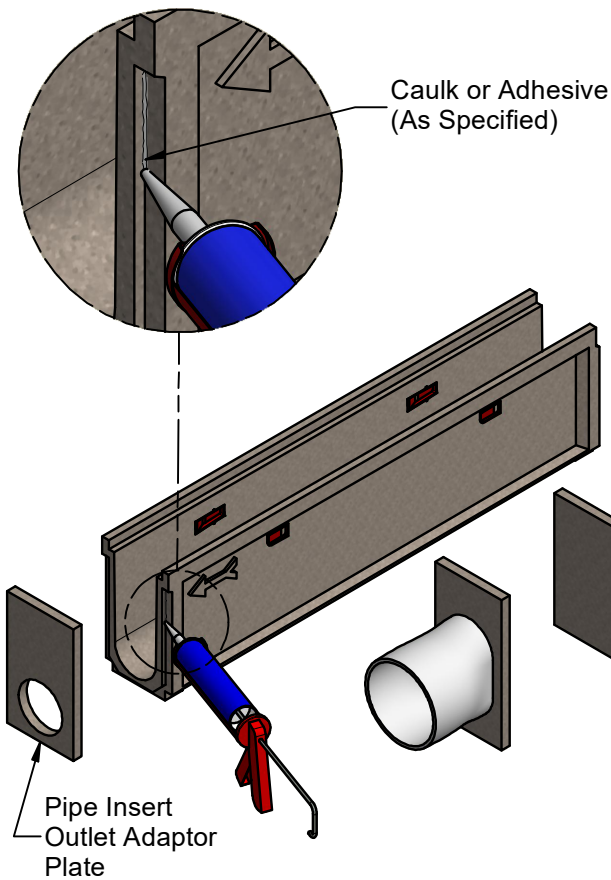
CHANNEL PREPARATION



1. FORMING MITER JOINTS



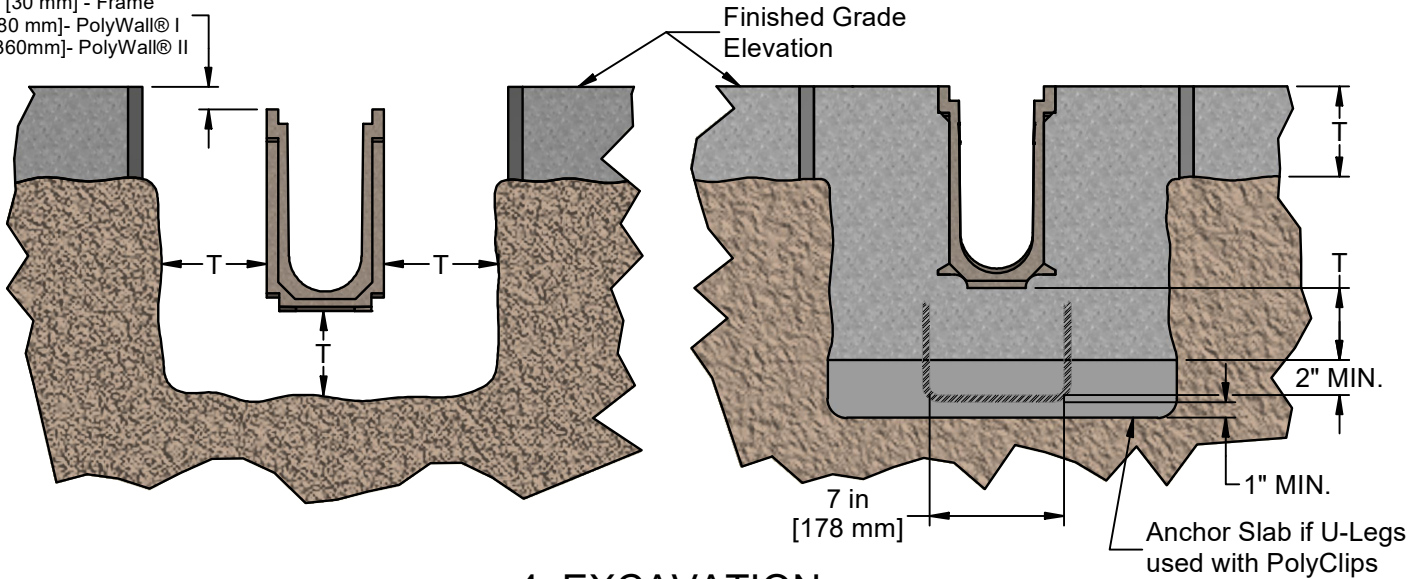
2. PIPE CONNECTION / PREFORMED CUTOUT REMOVAL



3. HORIZONTAL AND VERTICAL OUTLET/CLOSED END PLATES

INSTALLATION PREPARATION

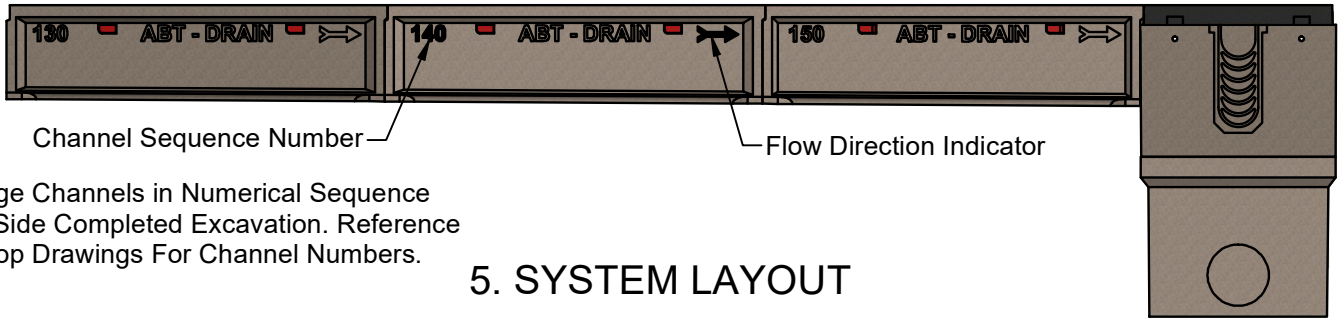
Add To Depth:
 1.18" [30 mm] - Frame
 7.07" [180 mm] - PolyWall® I
 14.17" [360mm] - PolyWall® II



4. EXCAVATION

T = Per Structural Engineer, 4" [100 mm] Minimum

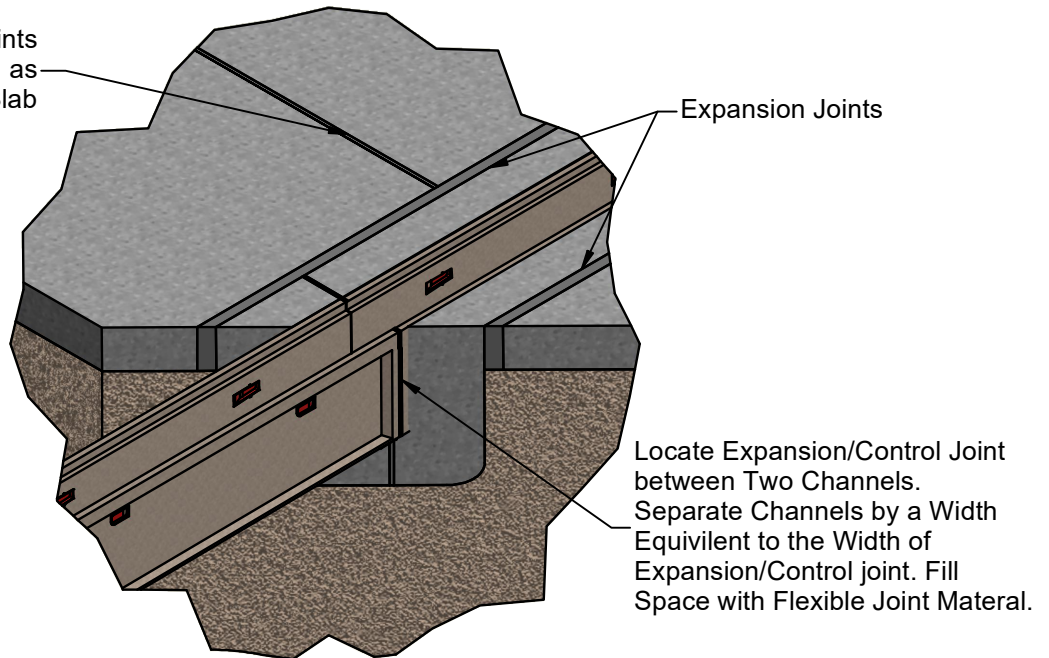
← INSTALL IN THIS DIRECTION



Stage Channels in Numerical Sequence Along Side Completed Excavation. Reference Shop Drawings For Channel Numbers.

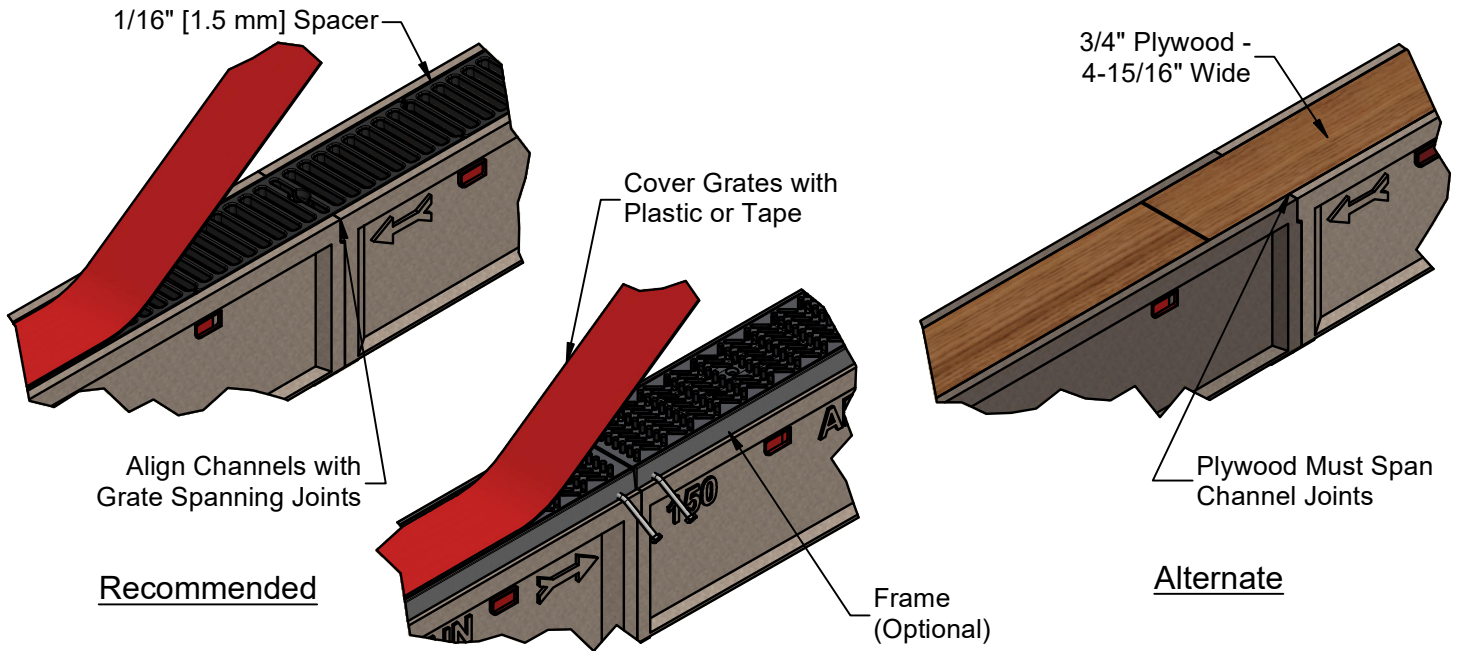
5. SYSTEM LAYOUT

Expansion and/or Control Joints with Quantity and Location as Required by Adjacent Slab

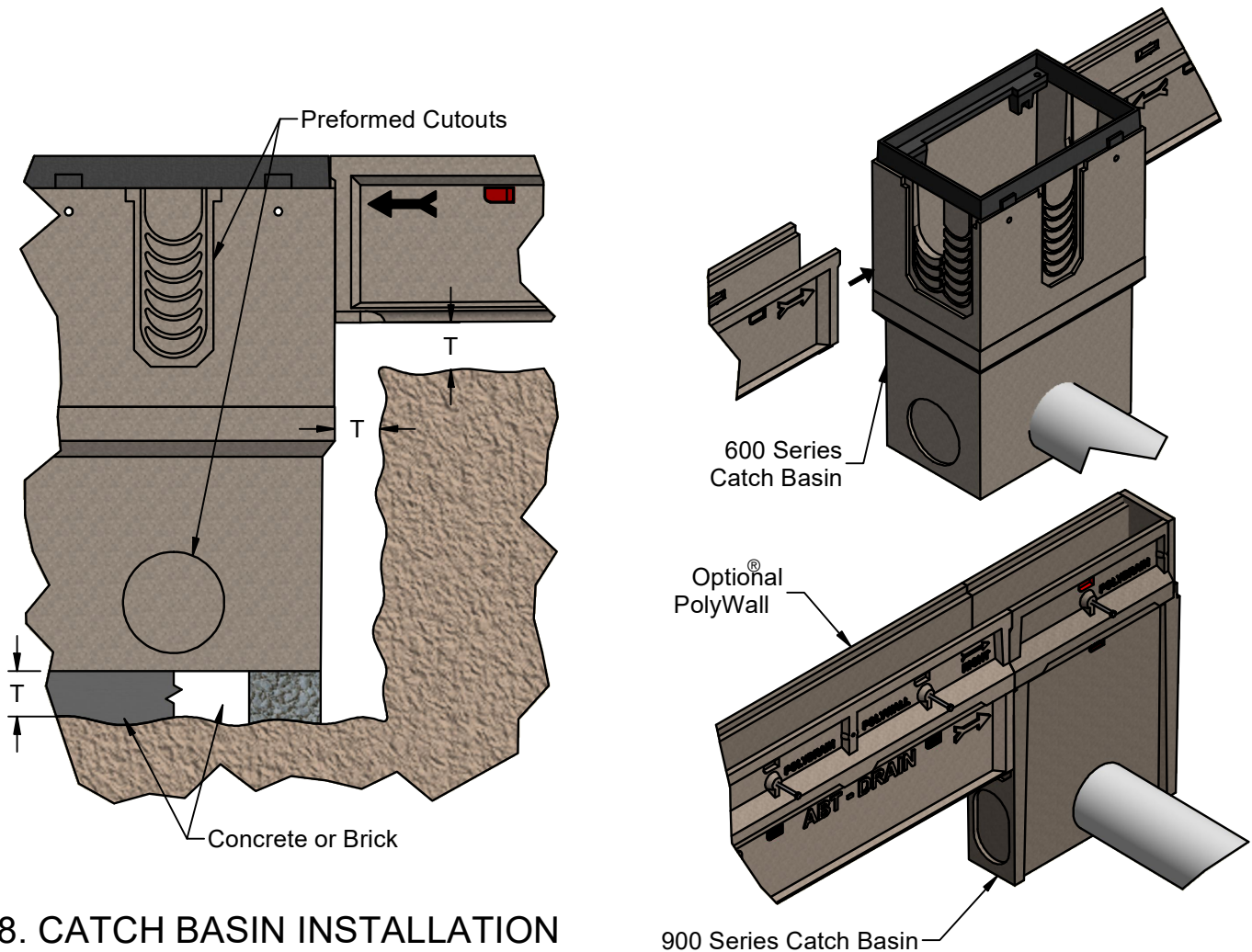


6. EXPANSION/CONTROL JOINTS

INSTALLATION PREPARATION



7. GRATE INSTALLTION PRIOR TO CONCRETING



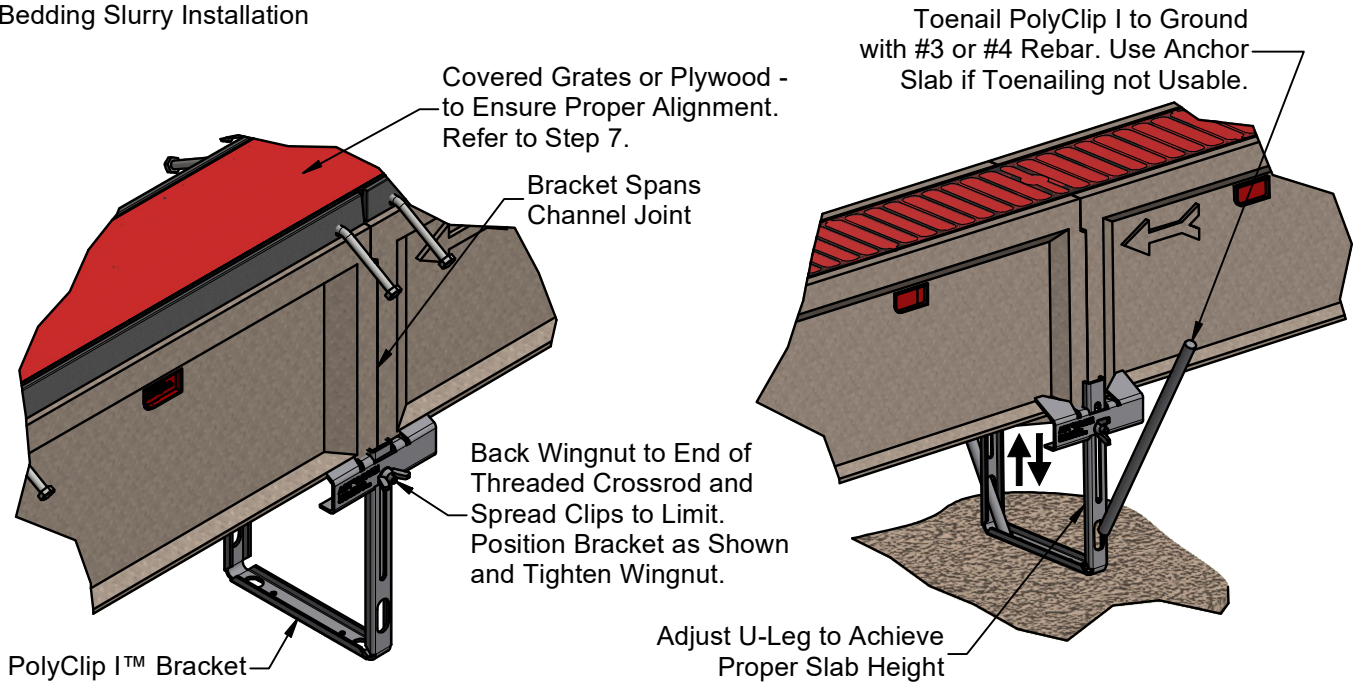
8. CATCH BASIN INSTALLATION

T = Per Structural Engineer, 4 in [100 mm] Minimum

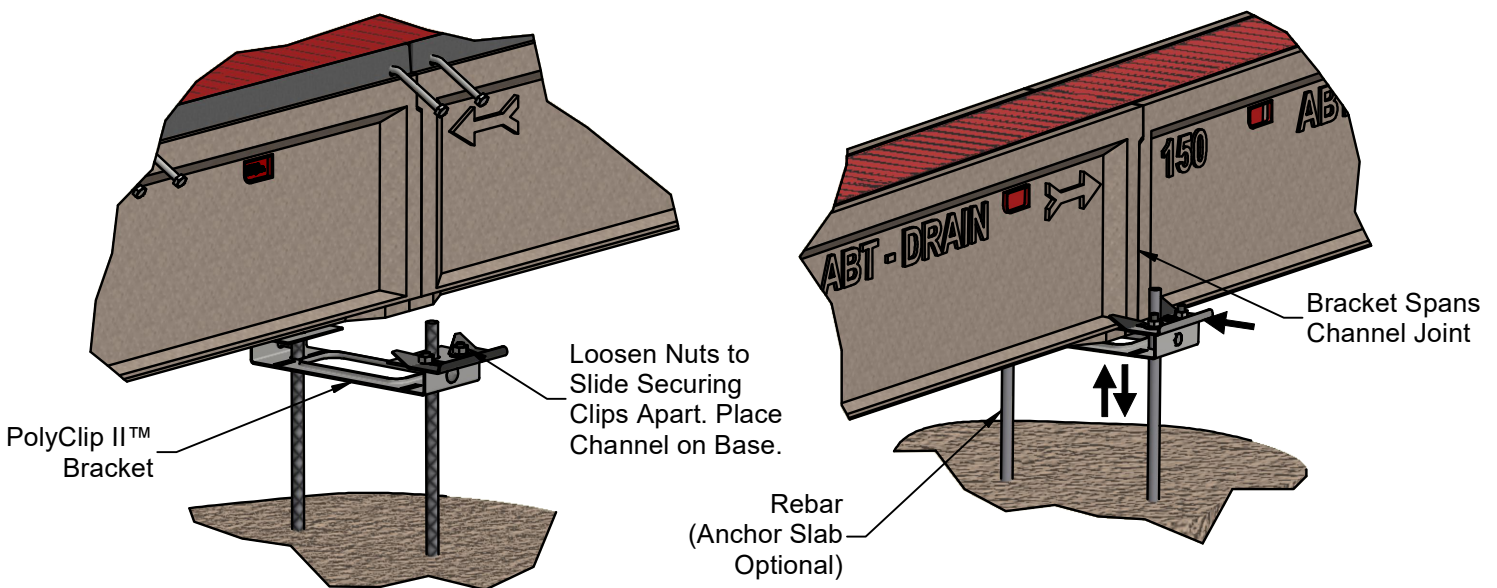
CHANNEL INSTALLATION

Important Installation Notes:

1. Begin Installation at Outlet/Discharge End and Work Backwards (Upstream).
2. Piping Connections, Catch Basin Installation, Miter Joint Assembly, and Trench Excavation Must be Completed Prior to Channel Installation.
3. Set String Line to Finished Slab Height at Outside Edge of Proposed Channel Location.
4. There are (4) Basic Methods of PolyDrain® Channel Installation:
 - A. PolyClip I Installation Device
 - B. PolyClip II Installation Device.
 - C. Suspended Installation
 - D. Bedding Slurry Installation

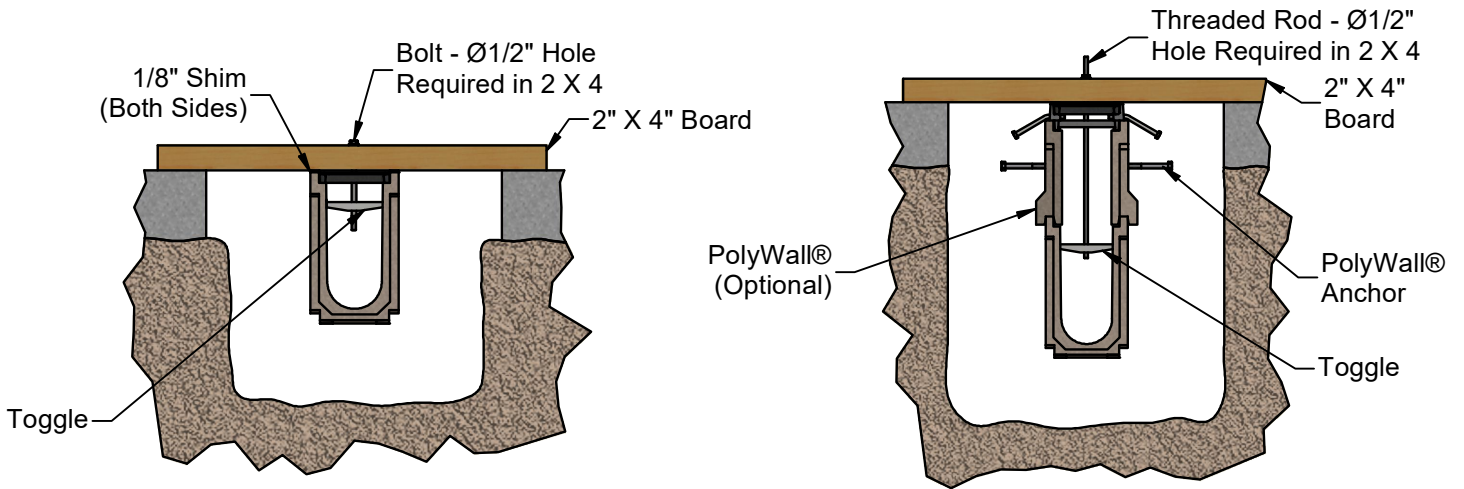


9A. CHANNEL INSTALLATION WITH POLYCLIP I™

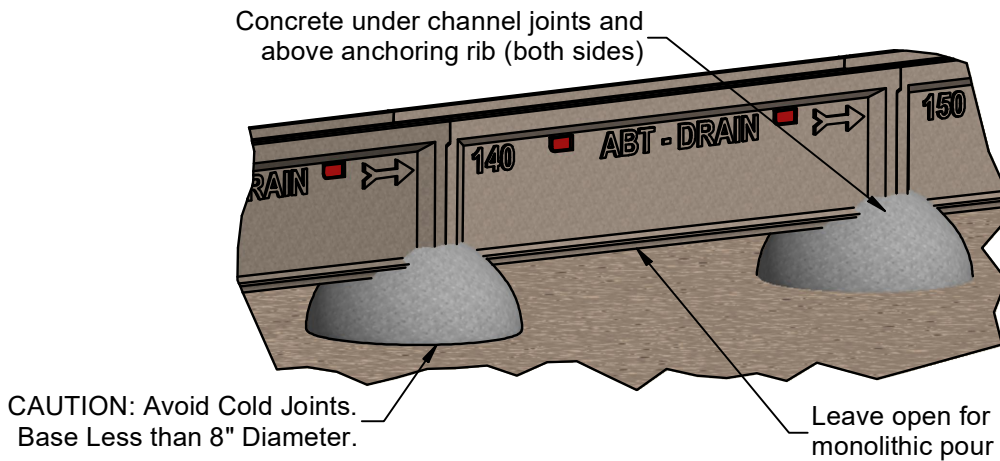


9B. CHANNEL INSTALLATION WITH POLYCLIP II™

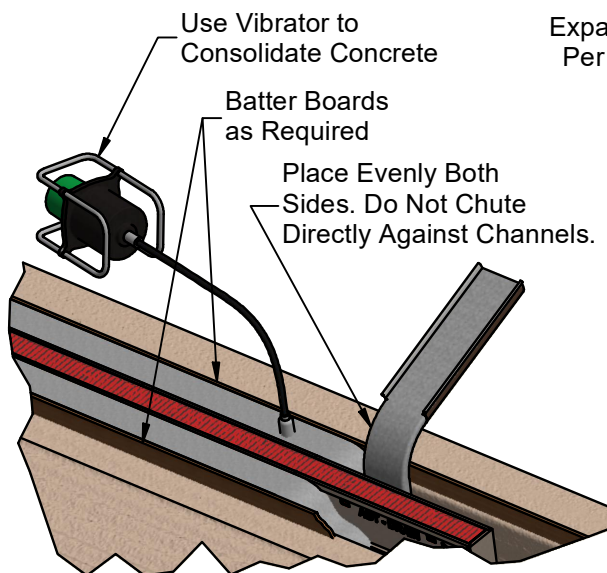
CHANNEL INSTALLATION



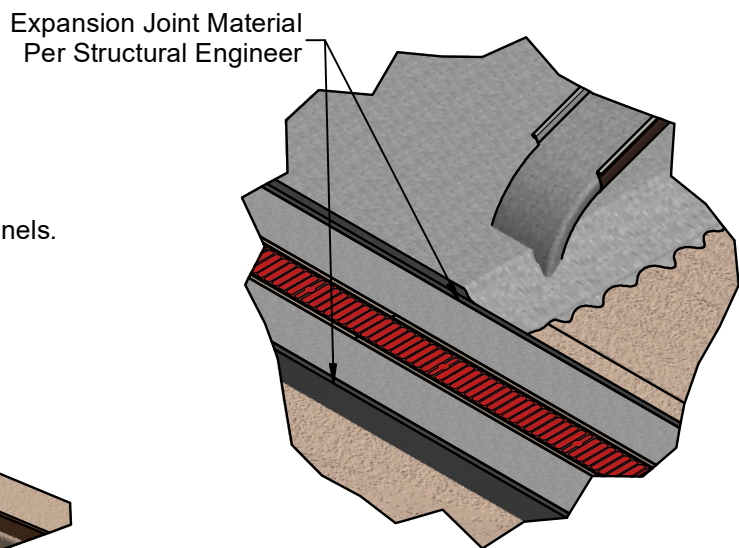
9C. CHANNEL INSTALLATION BY SUSPENSION METHOD



9D. CHANNEL INSTALLATION WITH BEDDING SLURRY

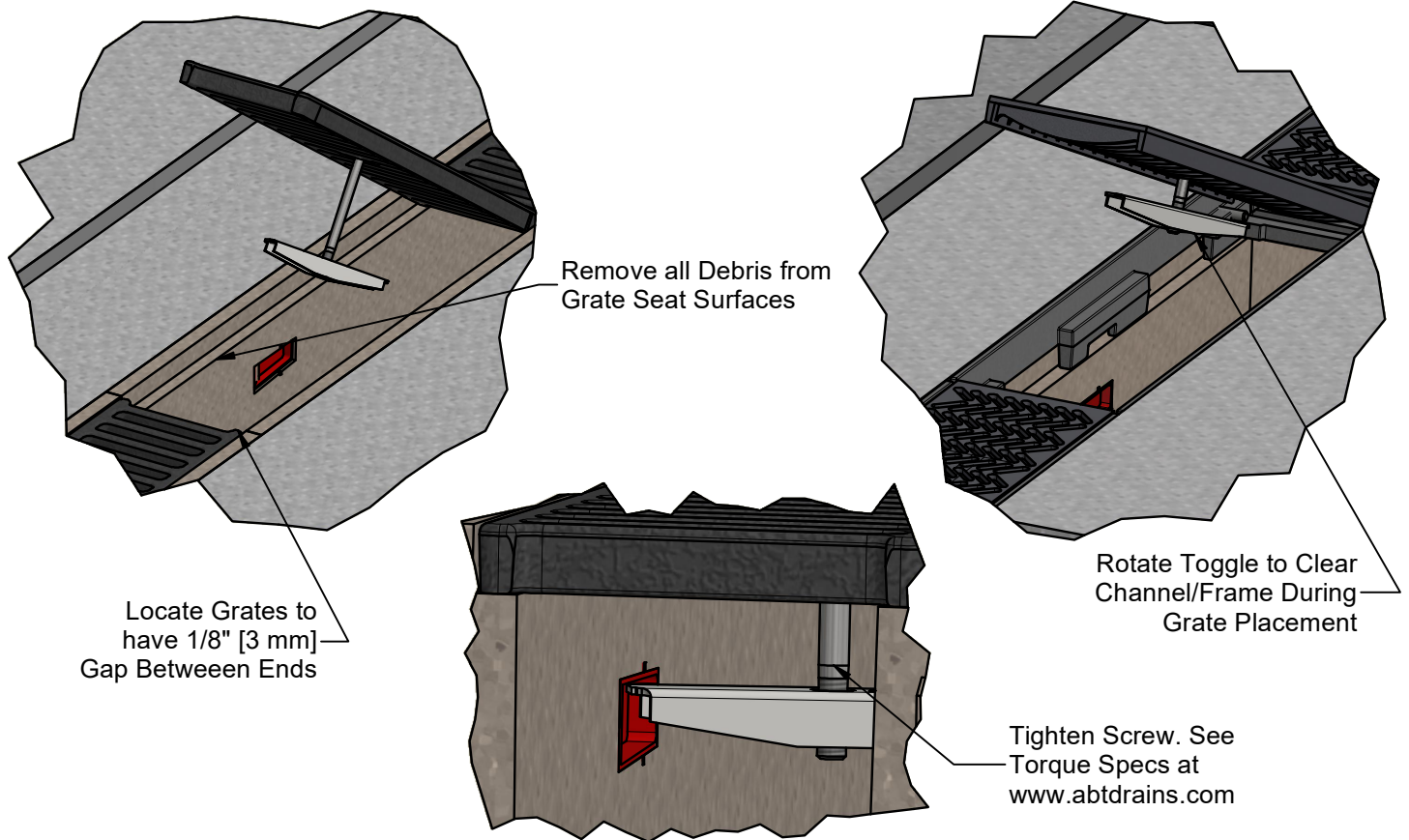


10. ENCAPSULATION CONCRETE PLACEMENT AND CONSOLIDATION

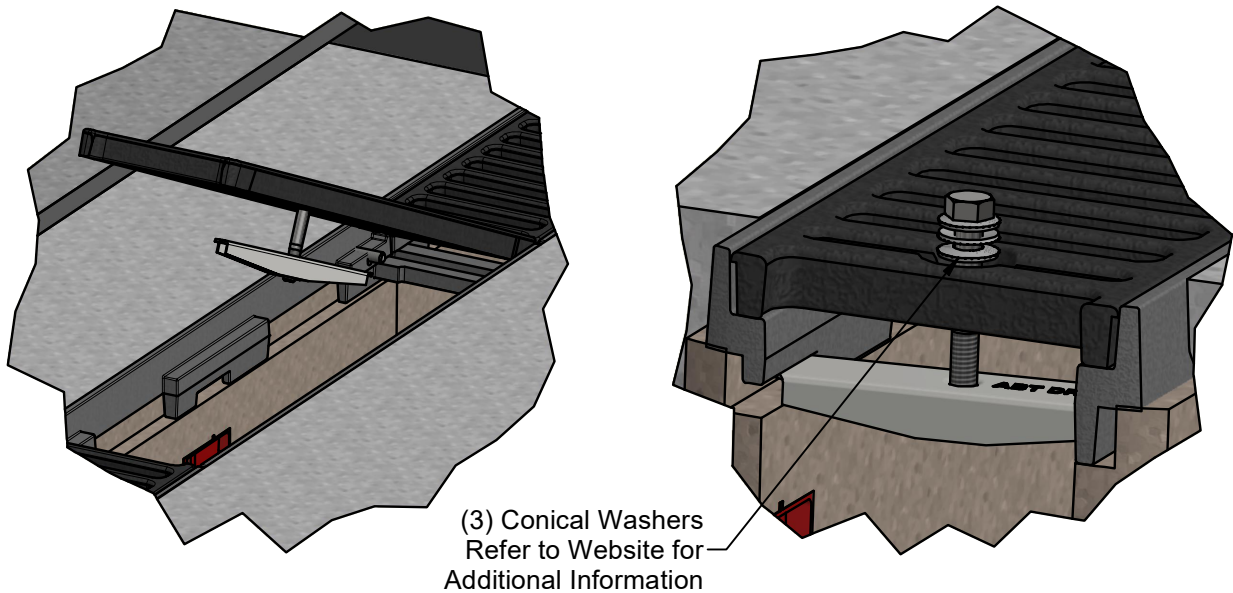


11. ADJACENT CONCRETE PLACEMENT

GRATE INSTALLATION



12A. GRATE INSTALLATION - TOGGLE & RED DOT[®]



12B. GRATE INSTALLATION - TOGGLE UNDER FRAME

