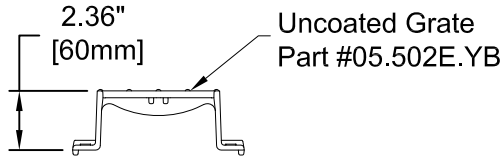


GRATE TOP VIEW
(ROTATED 90°)

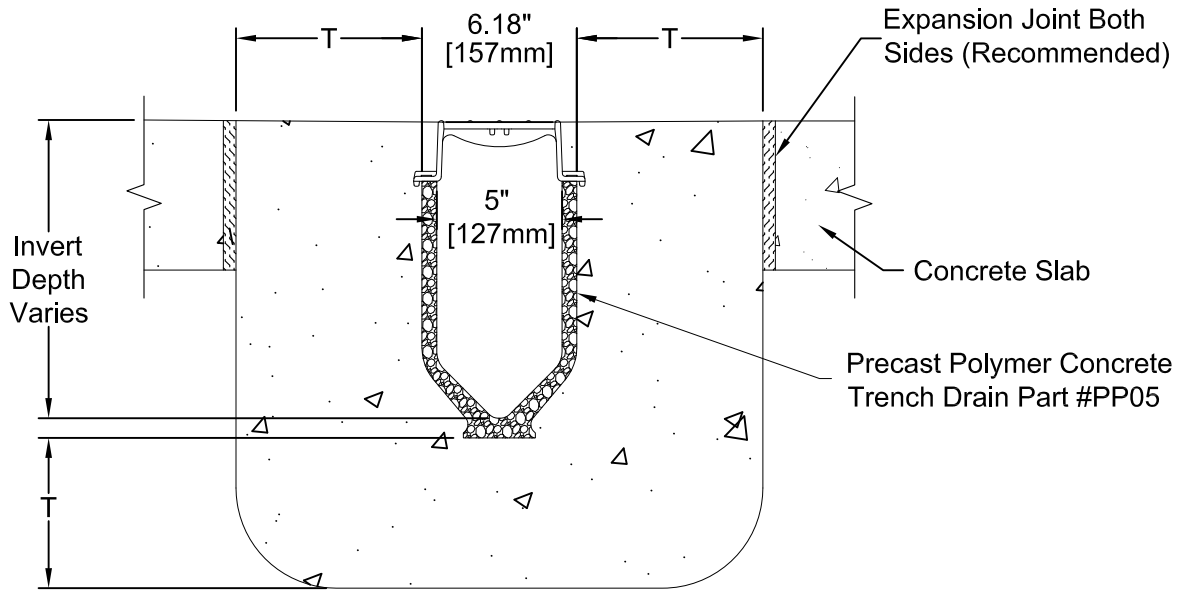


GRATE END VIEW

Plan Notes

Series Number: PP05-05.502E.YB

1. Grates:
 - Cast Ductile Iron per ASTM A536, Grade 80-55-06 (Uncoated)
 - Open Area: 0.28 Ft² per Lineal Foot [0.088 M² per Lineal Meter]
 - Load Rating: 620 PSI (Modified AASHTO M-306 Test Method)
 - Made in the USA
2. T = Thickness of Encapsulation Concrete. Thickness and Reinforcement per Structural Engineer's Specification for the application; Slab Thickness; or 6", whichever is greater.



END CROSS SECTION VIEW

Copyright © 2015 ABT, Inc.



P.O. BOX 837, 259 MURDOCK ROAD
TROUTMAN, NC 28166
(704) 528-9806

**PDX 05 - 5" [127mm] ID Precast Trench Drain
with Interceptor A-69**

SERIES:

PP05-05.502E.YB

REV: **03**

Proprietary rights of ABT, Inc. are included in the information disclosed herein. The recipient, by accepting this document, agrees that neither this document nor the information disclosed herein nor any part thereof shall be copied, reproduced or transferred to others for manufacturing or for any other purpose except as specifically authorized in writing by ABT, Inc.

DISCLAIMER: The customer and the customer's architects, engineers, consultants and other professionals are completely responsible for the selection, installation, and maintenance of any product purchased from ABT, and EXCEPT AS EXPRESSLY PROVIDED IN ABT'S STANDARD WARRANTIES, ABT MAKES NO WARRANTY, EXPRESS OR IMPLIED, AS TO THE SUITABILITY, DESIGN, MERCHANTABILITY, OR FITNESS OF THE PRODUCT FOR CUSTOMER'S APPLICATION. Copies of ABT's standard warranties are available upon request.